

- Typical continuous current 400 A at 85°C
- Suitable for voltage levels up to 1 000 VDC
- Current switching capability up to 30 000 A
- Non-resettable device / Sealed / Flameless

Product description:

A pyrotechnical actuator separates the electric connection irreversibly. A fuse in parallel of the terminals will support the actuator depending on current level. It is triggered by the ECU and used to separate the motion battery from the electrical system.

Typical applications:

Battery disconnection to prevent fires caused by short circuits.

Switching capacity

Specifications	Units	
Max Voltage	Volts	1000
Continuous Current Rating at 85°C	Amps	400
Interrupt Current at 1000VDC / 10µH	Amps	30 000
Minimum Breaking Current	Amps	0

Current carrying capacity

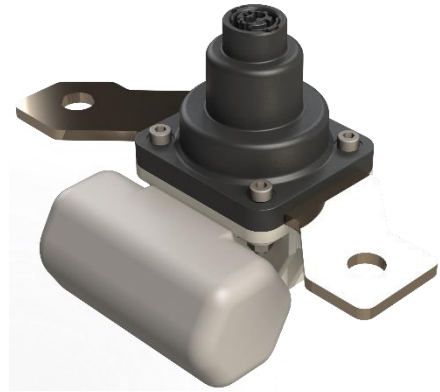
Customer cooling system must guarantee the temperature at terminals' connection point does not exceed +125°C

Maximum pulse current 23°C 25 000 A / 5 ms

Busbar

Contact raw-material (base) CuSn 0,15
 Contact plating material (lead-free) Sn/Ni

Busbar resistance (at RT) Target requirements
 before ops. ≤ 0,05 mΩ
 after ops ≥ 10 MΩ / 1000 V



Operation time

Clearing time	at 10kA / 10µH	< 3 ms
	At 30kA / 10µH	< 1 ms

Initiator Data

Qualified acc. to	AK-LV 16 & USCAR 28
Triggering circuit resistance	≥1,7 Ω and ≤ 2,3 Ω
Triggering pulse current	≥ 1,75 A / 0,5 ms
Or	≥ 1,20 A / 2,0 ms
Max triggering current	≤ 40 A
Triggering pulse slope	10 µs / A
Diagnostic current:	Max. 100 mA

Temperature

Operating temperature	-40 °C... + 105°C
Environmental temperature	-40 °C... + 105°C
Storage temperature	-40 °C... + 65°C
Self-ignition	≥ 300°C

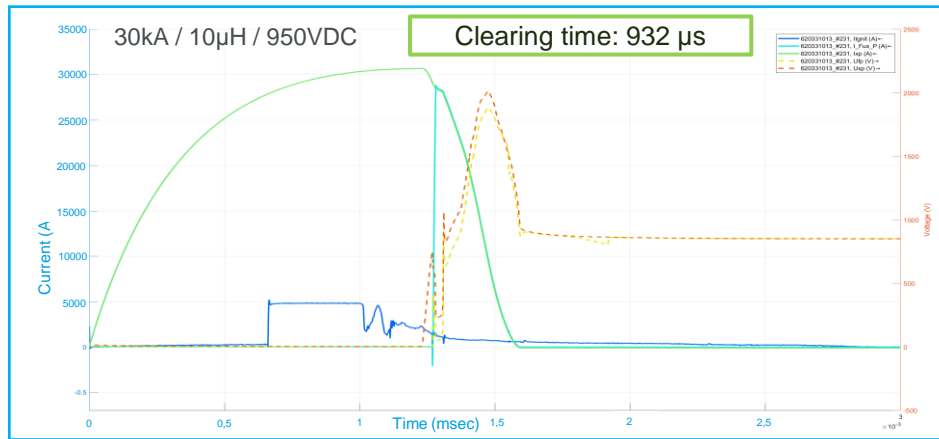
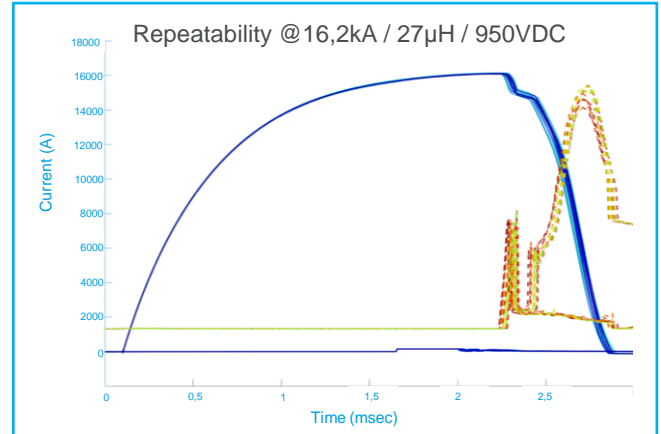
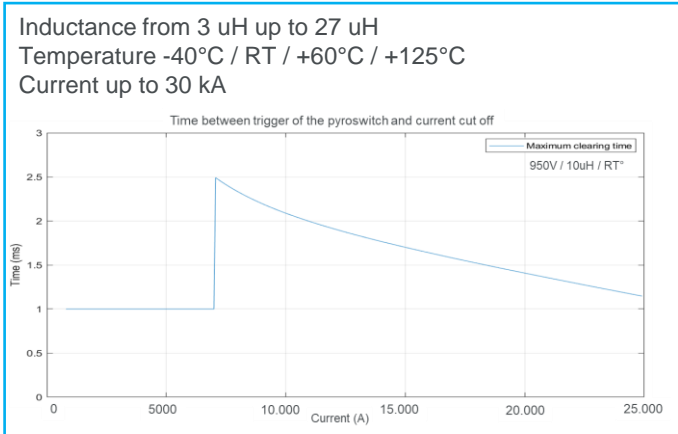
Other Data

Qualification acc. to	AK-LV 124
Other	Flameless device
Terminal type	M8 screw
on bus-bar	ISO 19072-1 compliant
on initiator	(sealed and un-sealed)
	Airbag connector standard
	ABX-5 Code X
Weight	< 400 g

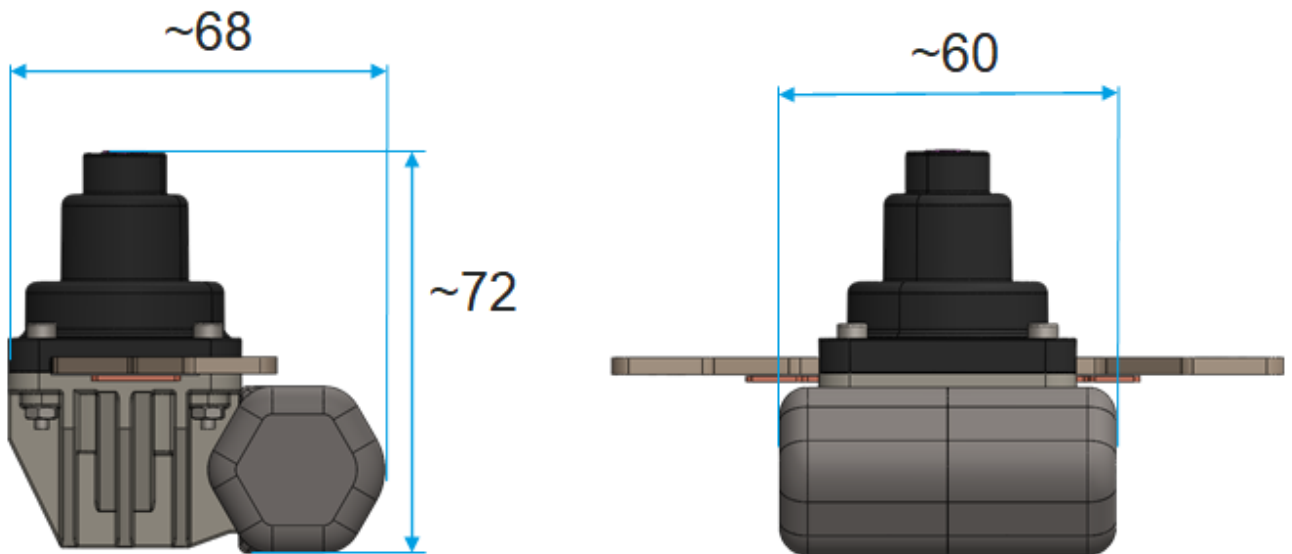
We refer emphatically to the fact, that all details mentioned, especially the application and utilization recommendation for the products and their system accessories, have been developed under normal conditions, and based on our knowledge and experience. Appropriate storage and usage of the products are assumed. A warranty or reliability of a finished project cannot be deduced because of varying materials, substrates and differing work conditions, neither by any indications nor from verbal statements, irrespective of any legal positions. For the possible accusation that FDT acted intentionally or grossly negligent, the user has to supply evidence that they provided Autoliv with all information and details necessary for an appropriate and correct evaluation through Autoliv in written form, immediately available and complete. The user is responsible for ensuring that the products are suitable for the given application. It is Autoliv's right to change product specifications without notice. Property rights of third parties are to be considered. In addition our particular sales and delivery terms are valid. The latest version of our product data sheet is obligatory, which can be requested directly through Autoliv. All information as well as all technical and drawing data comply with current technical standards and are based on our experience. National standards and regulations must be observed. Technical changes reserved. As of January 2016. ©2016



Performance robustness and test repeatability validated - Fast clearing over a large range of current



Dimensions



We refer emphatically to the fact, that all details mentioned, especially the application and utilization recommendation for the products and their system accessories, have been developed under normal conditions, and based on our knowledge and experience. Appropriate storage and usage of the products are assumed. A warranty or reliability of a finished project cannot be deduced because of varying materials, substrates and differing work conditions, neither by any indications nor from verbal statements, irrespective of any legal positions. For the possible accusation that FDT acted intentionally or grossly negligent, the user has to supply evidence that they provided Autoliv with all information and details necessary for an appropriate and correct evaluation through Autoliv in written form, immediately available and complete. The user is responsible for ensuring that the products are suitable for the given application. It is Autoliv's right to change product specifications without notice. Property rights of third parties are to be considered. In addition our particular sales and delivery terms are valid. The latest version of our product data sheet is obligatory, which can be requested directly through Autoliv. All information as well as all technical and drawing data comply with current technical standards and are based on our experience. National standards and regulations must be observed. Technical changes reserved. As of January 2016. © 2016

