

- Safe connection based on proven airbag technology
- Highly reliable over vehicle lifetime
- Stable and reliable contact
- Robust design, solid standby operation
- Flameless



Product description:

In case of an accident, a pyrotechnical actuator short-circuits two terminals in less than 1 millisecond. It is triggered by the airbag ECU.

Typical applications:

The closing device short-circuits the two Fuel Cell terminals in less than three millisecond. This consumes Hydrogen contained in the Fuel Cell and makes it safe. Can be used as a relay to activate any electrical system or discharge capacitors from DC-DC converters

Voltage

Rated voltage 450 V

Current

Maximum short circuit current 5kA / 5ms + 600A / 60 s

Busbar

Contact raw-material (base) CuSn 0,15
 Contact plating material (lead-free) Ni/Ag
 Busbar profile
 Cross-section nominal 38 mm²

Initiator Data

Qualified acc. to AK-LV 16 & USCAR
 Initiator resistance $\geq 1,7 \Omega$ and $\leq 2,5 \Omega$
 All- Fire current 1,75 A / 0,5 ms
 or 1,20 A / 2,0 ms
 No-Fire current $\leq 0,4 A$
 or $\leq 5,0 A / \leq 4 \mu s$
 Monitor current: 100 mA

Operation time

Release time < 1 ms

Resistance & Insulation data

Busbar resistance (at RT)
 before ops. $\geq 10 M\Omega$
 after ops $\leq 0,3 m\Omega$

Temperature

Operating temperature -40°C... + 105°C
 Environmental temperature -40°C... + 105°C
 Storage temperature -40°C..... + 90°C
 Self-ignition $\geq 210^\circ C$

Other Data

Vibration resistance acc. to LV 124
 Mech. Shock resistance acc. to LV 124
 Temperature cycle resistance acc. to LV 124
 Chemical loads resistance acc. to LV 124
 Other Flamless device

Terminal type

on bus-bar M8 screw
 on initiator ISO 19072-1 compliant (sealed and un-sealed)

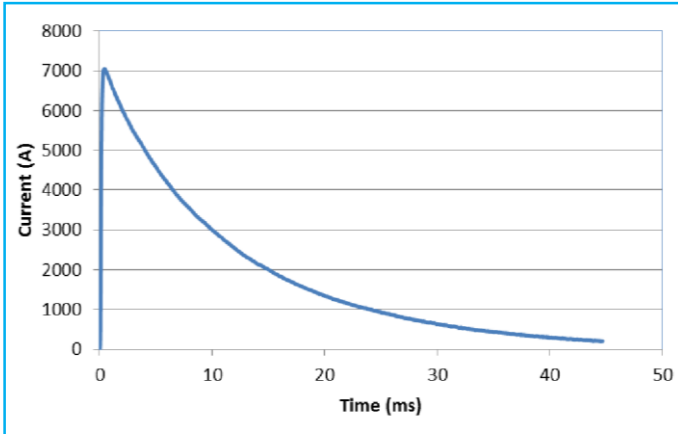
Weight

80 g

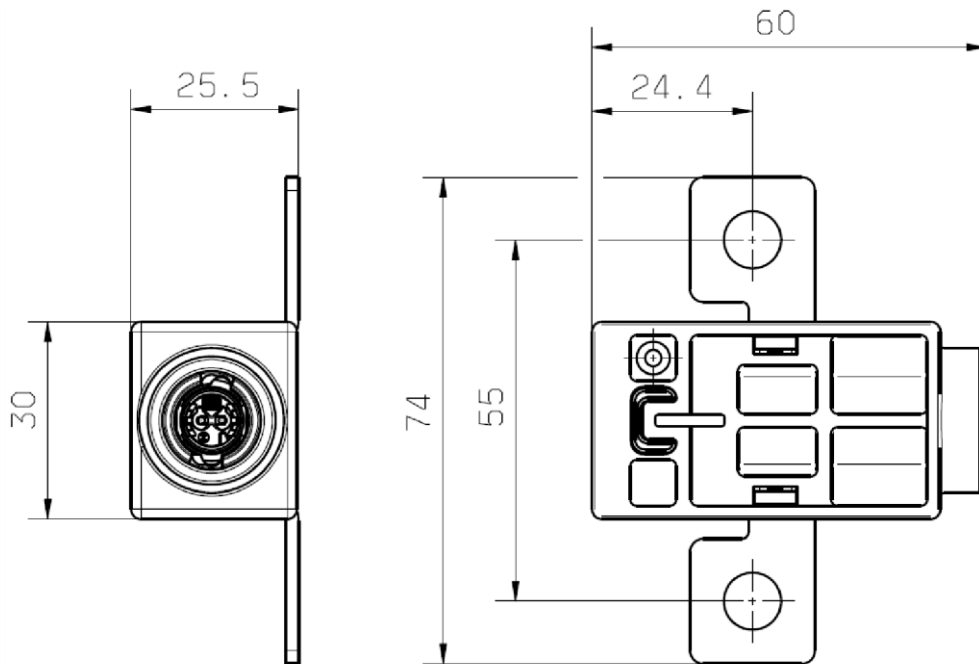
We refer emphatically to the fact, that all details mentioned, especially the application and utilization recommendation for the products and their system accessories, have been developed under normal conditions, and based on our knowledge and experience. Appropriate storage and usage of the products are assumed. A warranty or reliability of a finished project cannot be deduced because of varying materials, substrates and differing work conditions, neither by any indications nor from verbal statements, irrespective of any legal positions. For the possible accusation that FDT acted intentionally or grossly negligent, the user has to supply evidence that they provided Autoliv with all information and details necessary for an appropriate and correct evaluation through Autoliv in written form, immediately available and complete. The user is responsible for ensuring that the products are suitable for the given application. It is Autoliv's right to change product specifications without notice. Property rights of third parties are to be considered. In addition our particular sales and delivery terms are valid. The latest version of our product data sheet is obligatory, which can be requested directly through Autoliv. All information as well as all technical and drawing data comply with current technical standards and are based on our experience. National standards and regulations must be observed. Technical changes reserved. As of January 2016. ©2016



Short circuit example



Dimensions



We refer emphatically to the fact, that all details mentioned, especially the application and utilization recommendation for the products and their system accessories, have been developed under normal conditions, and based on our knowledge and experience. Appropriate storage and usage of the products are assumed. A warranty or reliability of a finished project cannot be deduced because of varying materials, substrates and differing work conditions, neither by any indications nor from verbal statements, irrespective of any legal positions. For the possible accusation that FDT acted intentionally or grossly negligent, the user has to supply evidence that they provided Autoliv with all information and details necessary for an appropriate and correct evaluation through Autoliv in written form, immediately available and complete. The user is responsible for ensuring that the products are suitable for the given application. It is Autoliv's right to change product specifications without notice. Property rights of third parties are to be considered. In addition our particular sales and delivery terms are valid. The latest version of our product data sheet is obligatory, which can be requested directly through Autoliv. All information as well as all technical and drawing data comply with current technical standards and are based on our experience. National standards and regulations must be observed. Technical changes reserved. As of January 2016. ©2016

