

- Maximum continuous current 350 A at 105 °C
- Non-reversible device
- Suitable for voltage levels up to 600 VDC
- High peak current carrying capability up to 25 000 A

Product description:

A pyrotechnical actuator separates the electric connection irreversibly. Pyrotechnical actuator is to be installed in EV vehicles and hybrid vehicles. It is triggered by the ECU, and is used to separate the motion battery from the electrical system.

Typical applications:

Battery disconnection to prevent fire caused by short circuits during/after an accident.

Switching capacity

Max. switching capacity	450 V / 300 A / 750 μH
	540 V / 8000 A / 15 μH
	540 V / 10000 A / 10 μH
	540 V / 15000 A / 5 μH
	540 V / 25 000 A / < 5 μH

Max ohmic switching capacity, 2 PSS-4 in series triggered simultaneously 1000 V / 10 000 A / < 5 μH

Current carrying capacity

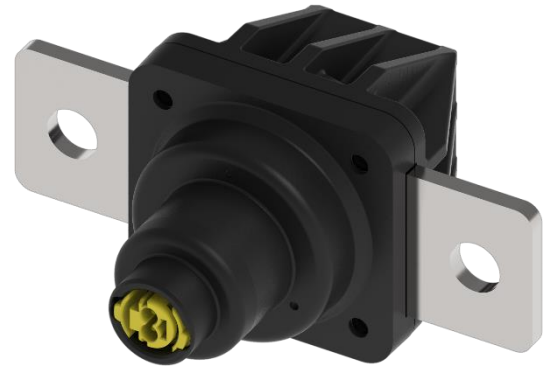
Customer cooling system must guarantee the temperature at terminals' connection point does not exceed +125 °C

Customers applications examples :

105°C Max, load cable 70mm ² min	350 A DC
85°C Max, load cable 70mm ² min	420 A DC
50°C Max, load cable 70mm ² min	500 A DC
Maximum pulse current	25000 A / 5 ms

Busbar

Contact raw-material (base)	CuSn 0,15
Contact plating material (lead-free)	Sn/Ni
Busbar profile	
Cross-section nominal	78 mm ²
Busbar resistance (at RT)	
before ops.	≤ 0,05 mΩ
after ops	≥ 1 MΩ / 500 V



Operation time

Operating time	< 2 ms
Typical	0.8 ms for 450 V / 8 000 A / 15 μH
	0.8 ms for 530 V / 24 000 A / 3 μH

Initiator Data

Qualified acc. to	AK-LV 16 & USCAR
Initiator resistance	≥ 1,7 Ω and ≤ 2,5 Ω
All- Fire current	≥ 1,75 A / 0,5 ms
or	≥ 1,20 A / 2,0 ms
No-Fire current	≤ 0,4 A
or	≤ 5,0 A / ≤ 4 μs
Diagnostic current:	100 mA

Temperature

Operating temperature	-40 °C... + 105 °C
Environmental temperature	-40 °C... + 105 °C
Storage temperature	-40 °C..... + 65 °C
Self-ignition	≥ 210 °C

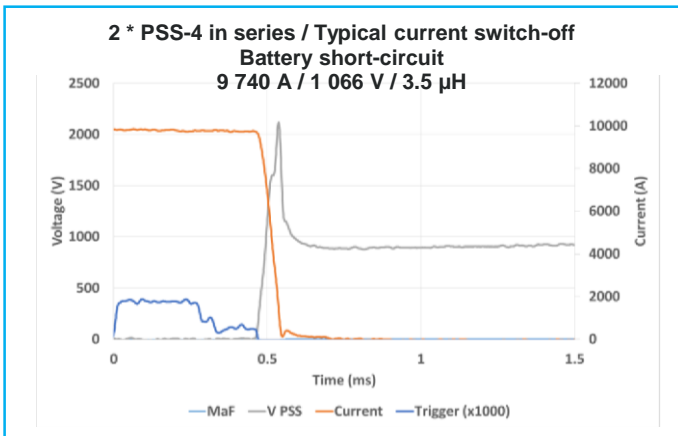
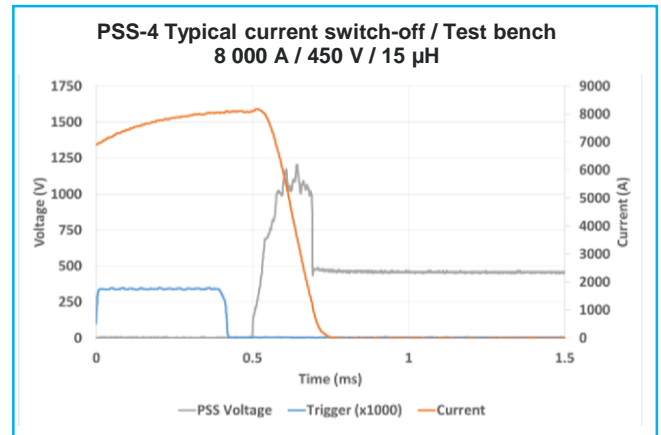
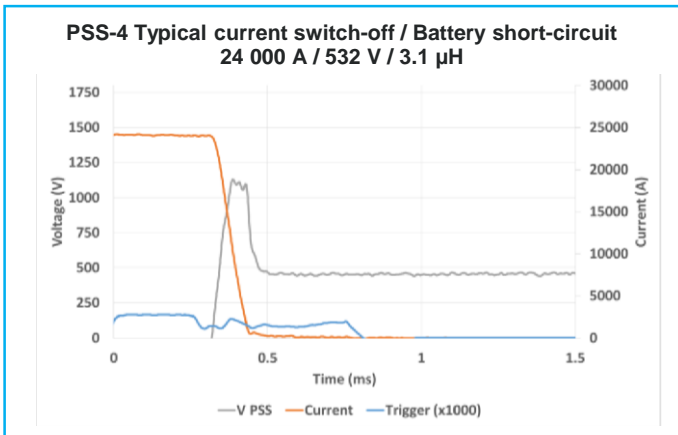
Other Data

Vibration resistance acc. to	AK-LV 124
Mech. Shock resistance acc. to	AK-LV 124
Temperature cycle resistance acc. to	AK-LV 124
Chemical loads resistance acc. to	AK-LV 124
Other	Flamless device
Terminal type	
on bus-bar	M8 screw
on initiator	ISO 19072-1 compliant (sealed and un-sealed)
Weight	≤ 160 g

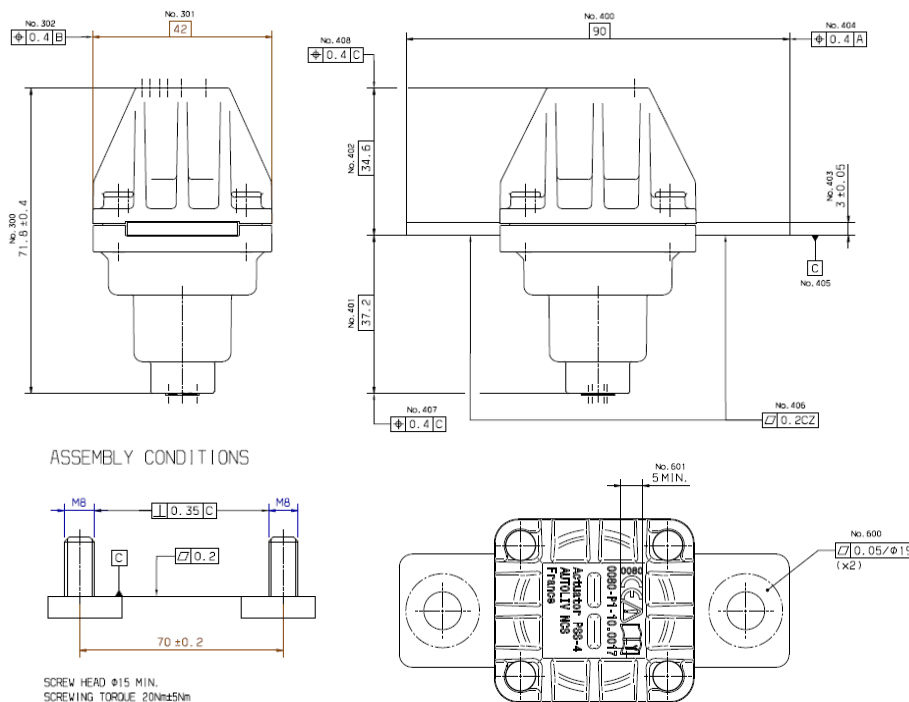
We refer emphatically to the fact, that all details mentioned, especially the application and utilization recommendation for the products and their system accessories, have been developed under normal conditions, and based on our knowledge and experience. Appropriate storage and usage of the products are assumed. A warranty or reliability of a finished project cannot be deduced because of varying materials, substrates and differing work conditions, neither by any indications nor from verbal statements, irrespective of any legal positions. For the possible accusation that FDT acted intentionally or grossly negligent, the user has to supply evidence that they provided Autoliv with all information and details necessary for an appropriate and correct evaluation through Autoliv in written form, immediately available and complete. The user is responsible for ensuring that the products are suitable for the given application. It is Autoliv's right to change product specifications without notice. Property rights of third parties are to be considered. In addition our particular sales and delivery terms are valid. The latest version of our product data sheet is obligatory, which can be requested directly through Autoliv. All information as well as all technical and drawing data comply with current technical standards and are based on our experience. National standards and regulations must be observed. Technical changes reserved. As of January 2016. ©2016



Performance



Dimensions



We refer emphatically to the fact, that all details mentioned, especially the application and utilization recommendation for the products and their system accessories, have been developed under normal conditions, and based on our knowledge and experience. Appropriate storage and usage of the products are assumed. A warranty or reliability of a finished project cannot be deduced because of varying materials, substrates and differing work conditions, neither by any indications nor from verbal statements, irrespective of any legal positions. For the possible accusation that FDT acted intentionally or grossly negligent, the user has to supply evidence that they provided Autoliv with all information and details necessary for an appropriate and correct evaluation through Autoliv in written form, immediately available and complete. The user is responsible for ensuring that the products are suitable for the given application. It is Autoliv's right to change product specifications without notice. Property rights of third parties are to be considered. In addition our particular sales and delivery terms are valid. The latest version of our product data sheet is obligatory, which can be requested directly through Autoliv. All information as well as all technical and drawing data comply with current technical standards and are based on our experience. National standards and regulations must be observed. Technical changes reserved. As of January 2016. © 2016

